

# PCH Series 3-Phase

# 0.2kW

## ■ SPECIFICATION

### ■ MOTOR

Output (kW)	Model Name	Poles	Voltage (V)	Freq. (Hz)	Rated Load			Duty	Degrees of protection	Insulation Classification	Protective Cooling System
					Current (A)	Speed (r/min)	Efficiency (%)				
0.2	PCH□-□-□M□020R4□	4	220/380	60	1,10/0,60	1715	71,5	CONT.	IP55	F	Totally Enclosed Fan-Cooled
	PCH□-□-□M□020W6□	4	200	50	1,10	1415	71,7				
			200/220	60	1,00/1,00	1690/1715	72,8/73,2				
	PCH□-□-□M□020X6□	4	380/400	50	0,60/0,60	1410/1420	71,0/67,2				
400/440			60	0,50/0,50	1700/1720	70,8/73,4					

- The Brake Geared Motor is divided into 2 models: one is a non-water proof product with IP40 while the other is a waterproof product with IP55.
- The Models with IP40 and IP55 have the same electric characteristics.

### ■ GEARED MOTOR – 50Hz

Frame No.	25											30					
Reduction gear ratio	5	7,5	10	12,5	15	20	25	30	40	50	60	80	100	120	160	★200	★240
Rotation speed (r/min)	300	200	150	120	100	75	60	50	37,5	30	25	18,8	15	12,5	9,4	7,5	6,3
Allowable torque	kgf · m	0,56	0,83	1,10	1,41	1,70	2,29	2,79	3,40	4,50	5,60	6,79	8,79	11,1	13,3	17,4	19,7
	N · m	5,49	8,15	10,8	13,8	16,7	22,5	27,4	33,3	44,1	54,9	66,6	86,2	109	130	171	193
Allowable O.H.L	kgf	160	175	190	205	220	240	260	270	290	310	310	320	320	320	320	320
	N	1568	1715	1862	2009	2156	2352	2548	2646	2842	3038	3038	3136	3136	3136	3136	3136

### ■ GEARED MOTOR – 60Hz

Frame No.	25											30					
Reduction gear ratio	5	7,5	10	12,5	15	20	25	30	40	50	60	80	100	120	160	★200	★240
Rotation speed (r/min)	360	240	180	144	120	90	72	60	45	36	30	22,5	18	15	11,3	9	7,5
Allowable torque	kgf · m	0,47	0,70	0,92	1,16	1,40	1,90	2,29	2,79	3,79	4,70	5,70	7,29	9,29	11,1	14,5	16,4
	N · m	4,61	6,82	9,02	11,4	13,7	18,6	22,5	27,4	37,2	46,1	55,9	71,5	91,1	109	142	161
Allowable O.H.L	kgf	160	175	190	205	220	240	260	270	290	310	310	320	320	320	320	320
	N	1568	1715	1862	2009	2156	2352	2548	2646	2842	3038	3038	3136	3136	3136	3136	3136

- Note) • Permissible Torque is limited for products with a mark "★" of reduction gear ratio  
 • Permissible O.H.L (allowable overhung load) is based on the central part of the outlet length for output shaft  
 • Rotation direction of color ■ is opposite of other color □  
 • Self Locking is unavailable.

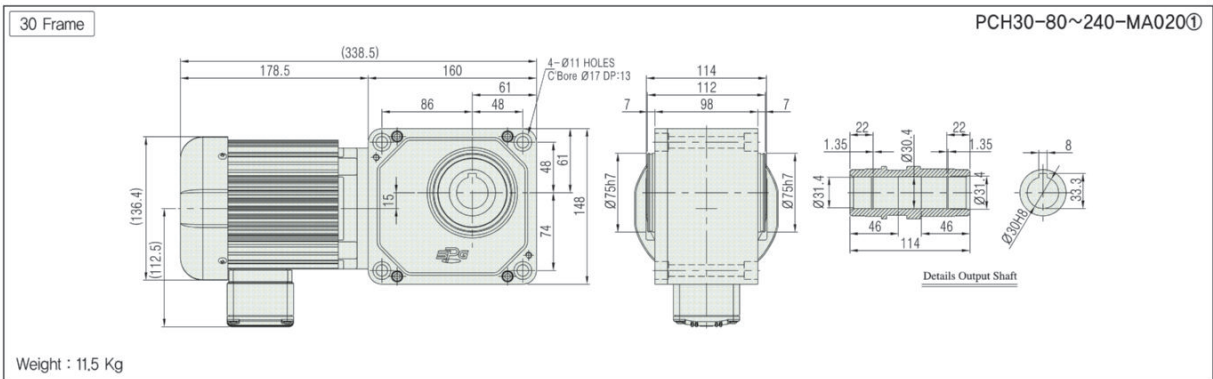
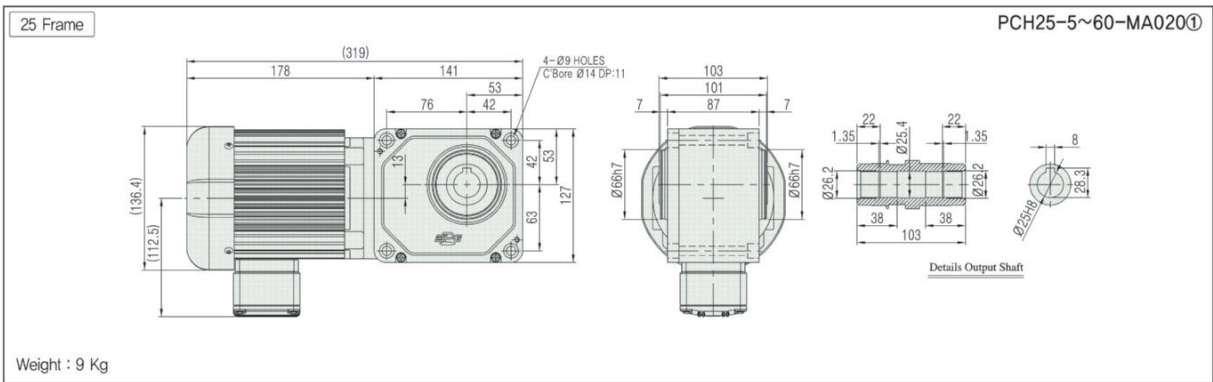
Model Name Coding  
 36Page

Specification for output shaft  
 70Page

Technological Data  
 101Page

# ■ PCH TYPE DIMENSIONS [ Lead wire Box Type ]

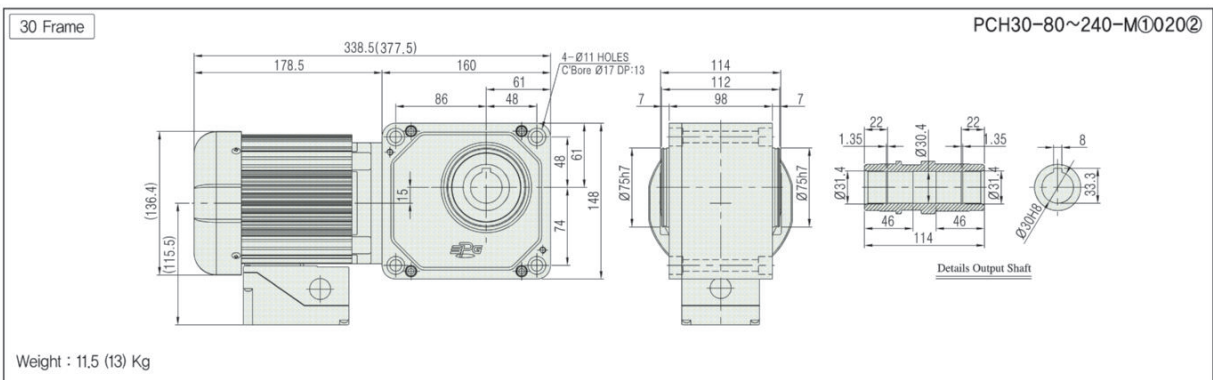
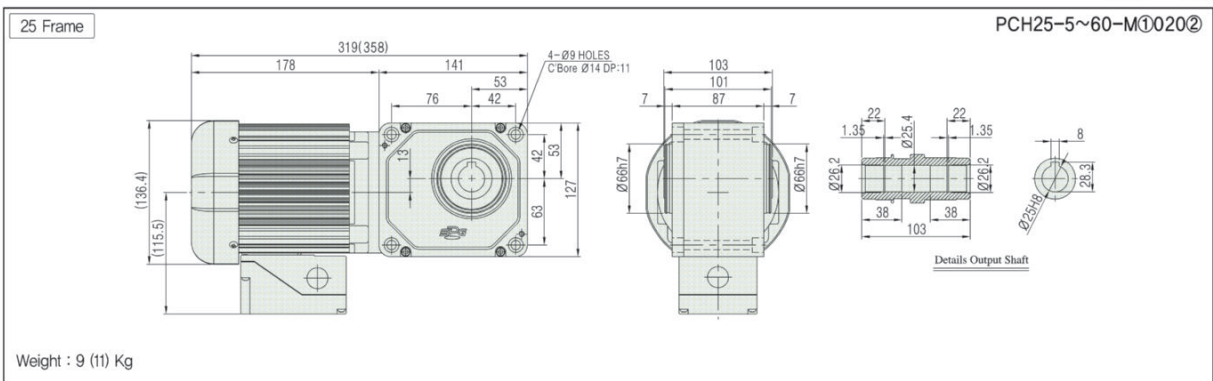
UNIT = mm



# ■ PCH TYPE DIMENSIONS [ Terminal Box Type ]

- Note) • Dimensions for IP40 model and IP55 model are the same.  
 • The brake-attached model is applied to the Terminal Box Type for basic features, but does not apply to the lead wire box type.  
 • () dimension and weight in dimensions is for brake attached model specification

UNIT = mm



- **Model type** ① : Motor option (B, C, D)  
 ② : Power (Voltage & Frequency)