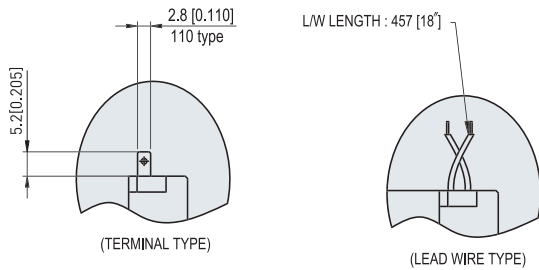
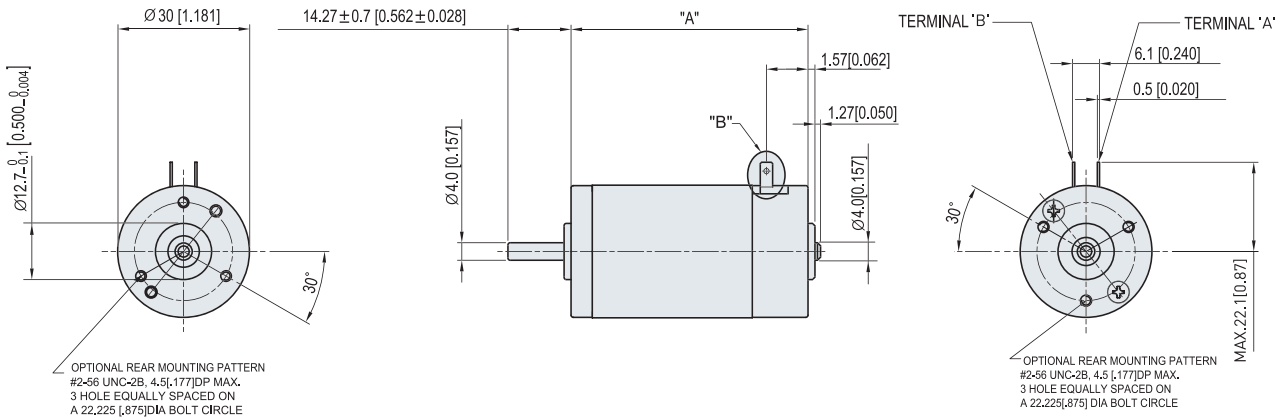


COMPACT TYPE RM3 SERIES MOTOR

MOTOR DIMENSION

UNIT : mm[inch]



DETAIL "B" CONNECTOR METHOD

MODEL NO.	"A"
RM32□□□	50.6 [1.992]
RM33□□□	53.7 [2.114]
RM34□□□	60.0 [2.362]

MOTOR SPECIFICATION

(Voltage : DC 24V)

Type	No Load		Rated			Stall(Peak)		Run Duty Hr	Weight Kg	
	Revolution	Current	Conituous Torque(Max.)	Revolution	Current	Peak Torque	Current			
	RPM	A	-	RPM	A	-	A			
RM32B□□	7750	0.24	0.011	N-m	5800	0.55	0.048	N-m	500	0.59
			1.6	oz-in			6.8	oz-in		
			0.11	kgf · cm			0.49	kgf · cm		
RM33B□□	8132	0.28	0.014	N-m	6550	0.62	0.070	N-m	500	0.74
			2.0	oz-in			9.9	oz-in		
			0.14	kgf · cm			0.71	kgf · cm		
RM34B□□	10160	0.40	0.018	N-m	8120	1.11	0.127	N-m	500	0.89
			2.5	oz-in			18.0	oz-in		
			0.18	kgf · cm			1.30	kgf · cm		

※ Run duty is valued at rated Voltage and No load.